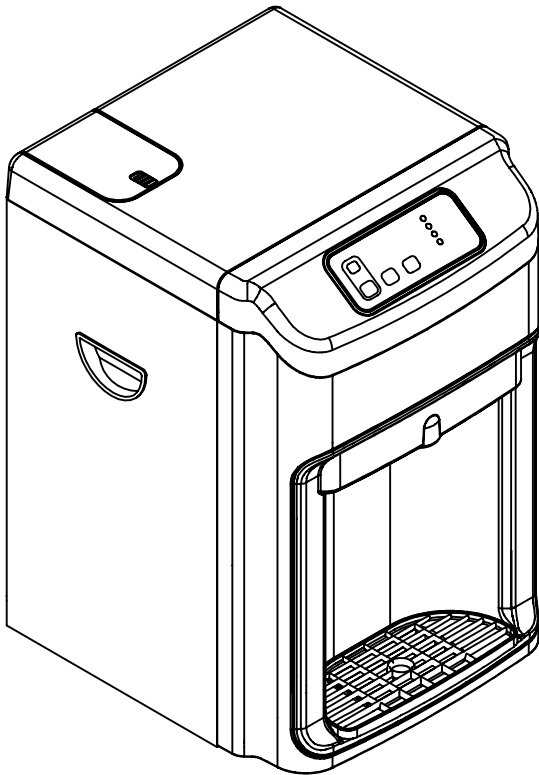

CW-868CWH-A

Cold , Warm and Hot Water Dispenser Operation Manual

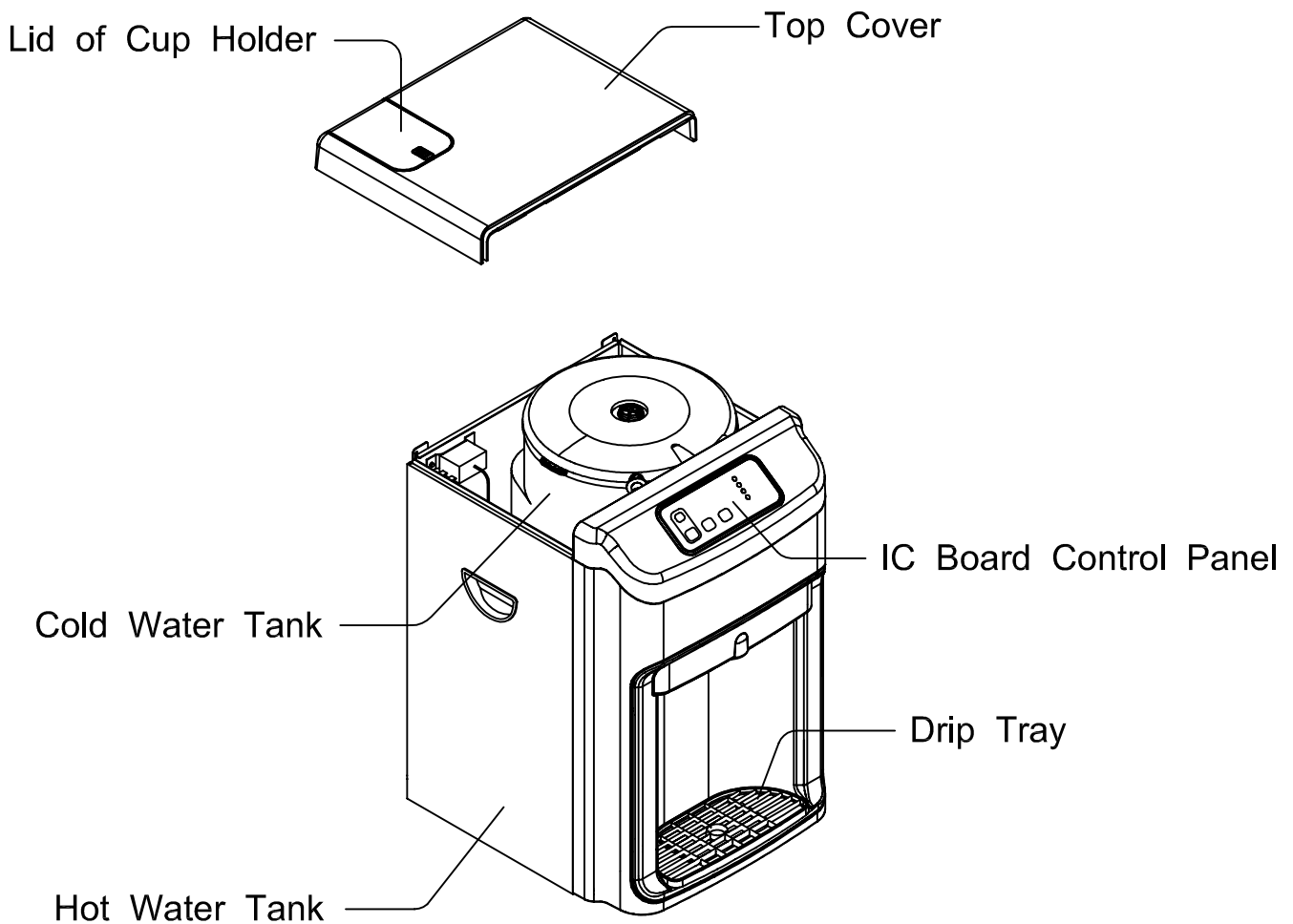


Contents	Page
Preface / Parts	1
Piping Installation	2
Operation Method	3,4
Safety Reminder	5
Cleaning & Maintenance	6

Please read these instructions completely before operating this unit

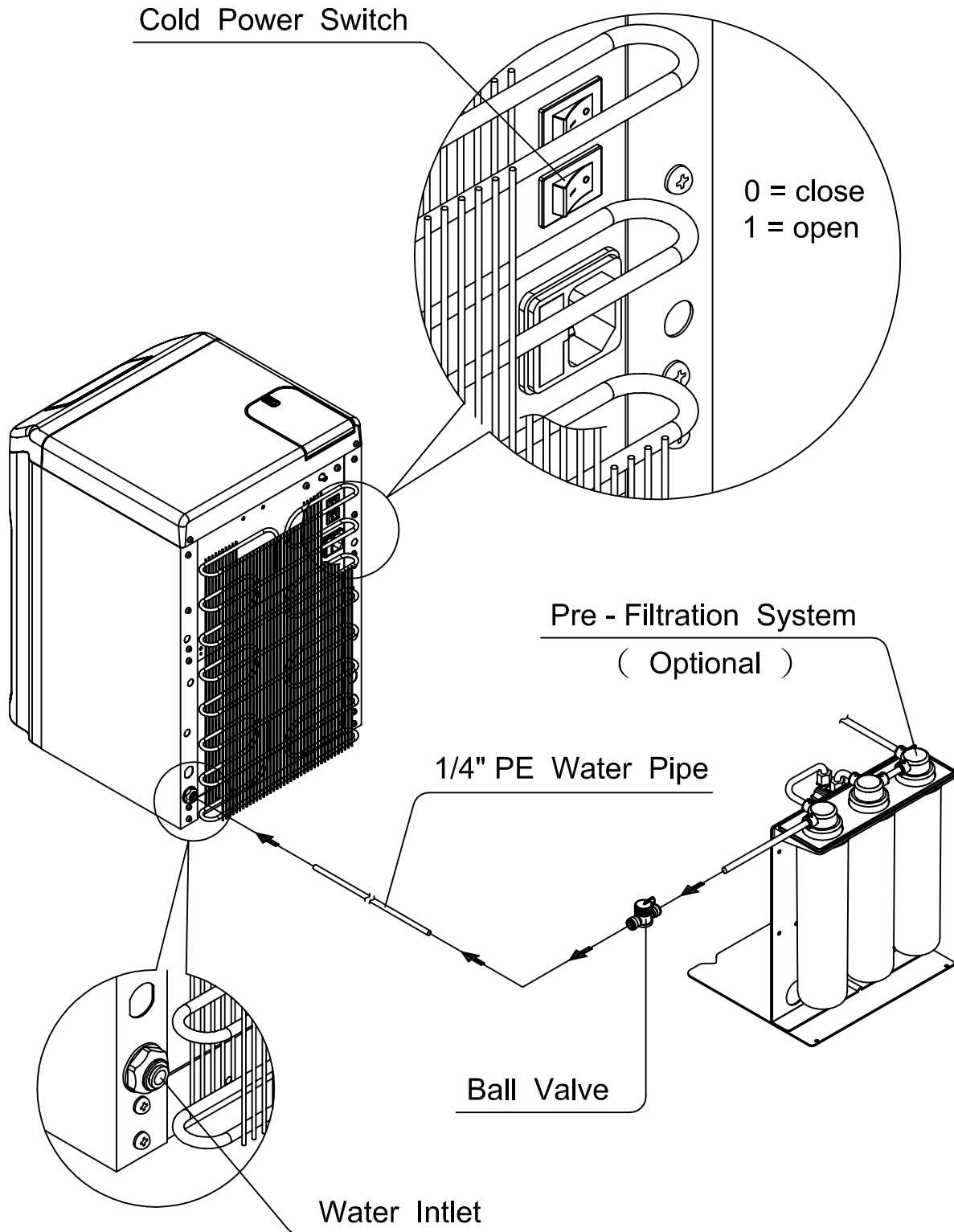
Preface / Parts

Before using this machine, we advise you to read this manual thoroughly. Please follow the instructions for proper operation to prevent risk or damage.

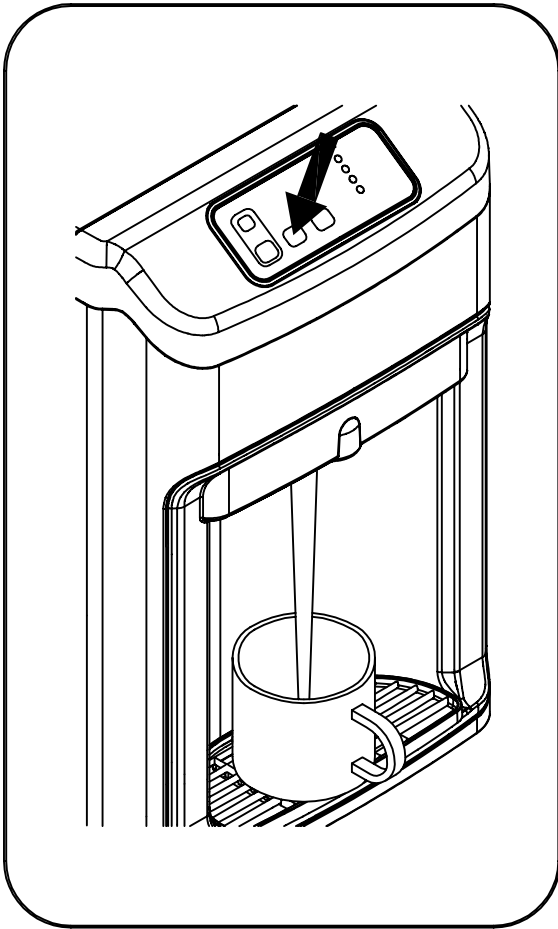


Piping Installation

Please also prepare a pre-filtration equipment then install all part as below image.

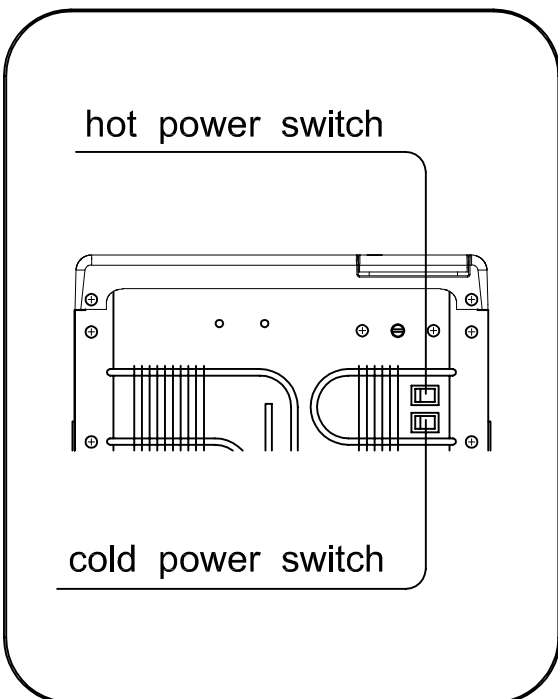


Operation Method



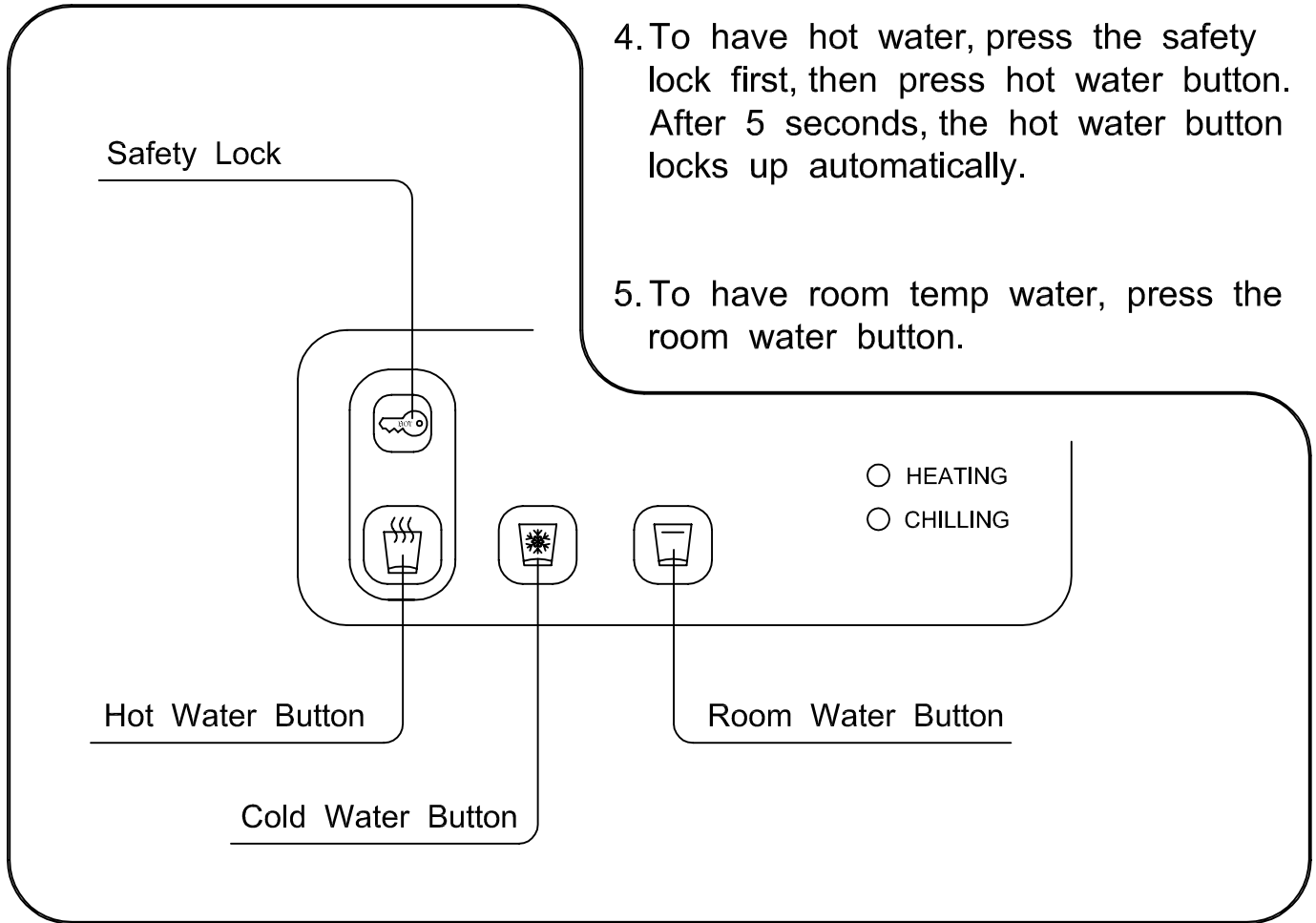
1. When piping is completed, the tanks will begin to fill with water. Now the machine may be connected to electricity. Try pressing the cold and hot water buttons and see if water comes out. It is important that the tanks must be filled with water to proceed with the following procedures.

2. Turn on the cold power switch on the back and chilling starts. The chilling indicator on the control board will go on as chilling proceeds. When the indicator goes off, chilling is done. The temperature is set at 4 ~ 10°C.



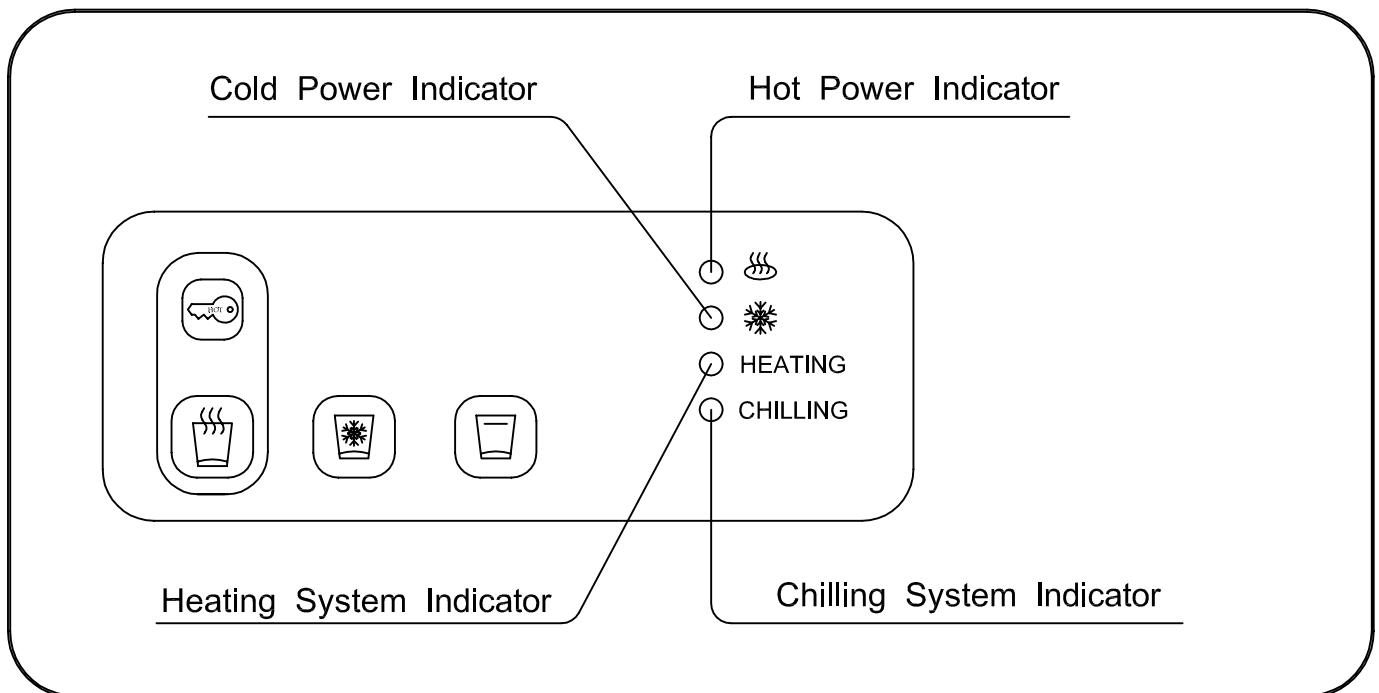
3. Turn on the hot power switch on the back and heating starts. The heating indicator goes on while heating proceeds. When the indicator is off, heating is done and hot water is ready to serve. Hot water will be re-heated automatically when the temperature is not high enough.

Operation Method

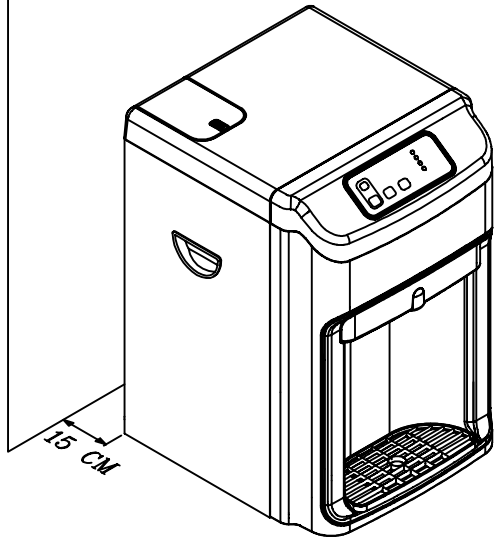


4. To have hot water, press the safety lock first, then press hot water button. After 5 seconds, the hot water button locks up automatically.

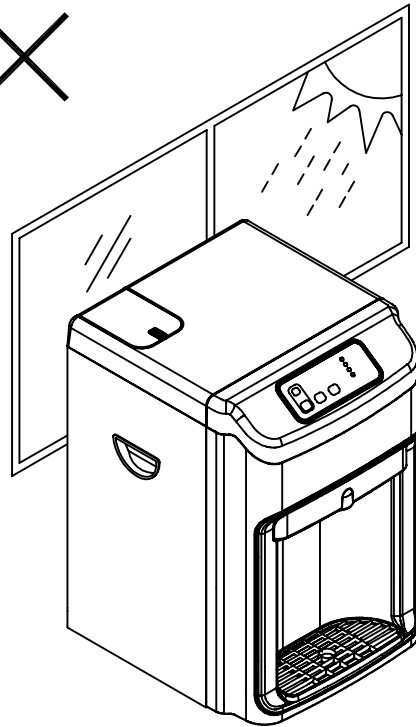
5. To have room temp water, press the room water button.



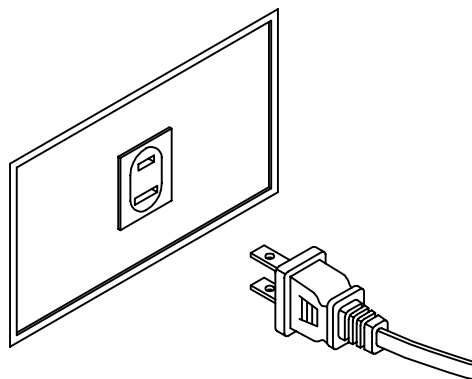
Safety Reminder



Leave a space no less than 15cm between the wall and dispenser.

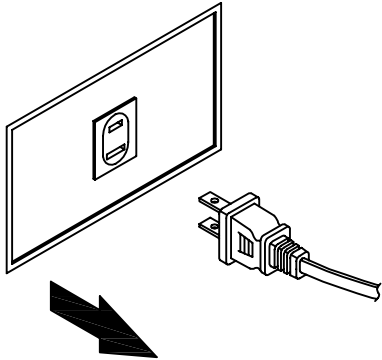


Keep the machine away from sunlight , heat , and wetness.

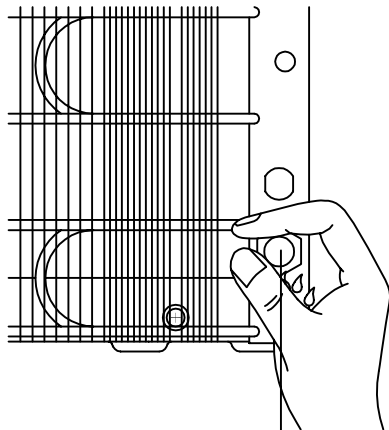


Be sure to use single outlet socket with correct power voltage. Plug the power cord directly into electrical socket .

Cleaning & Maintenance



1. Please make sure the machine is completely disconnected from electricity before cleaning.



water stop bolt

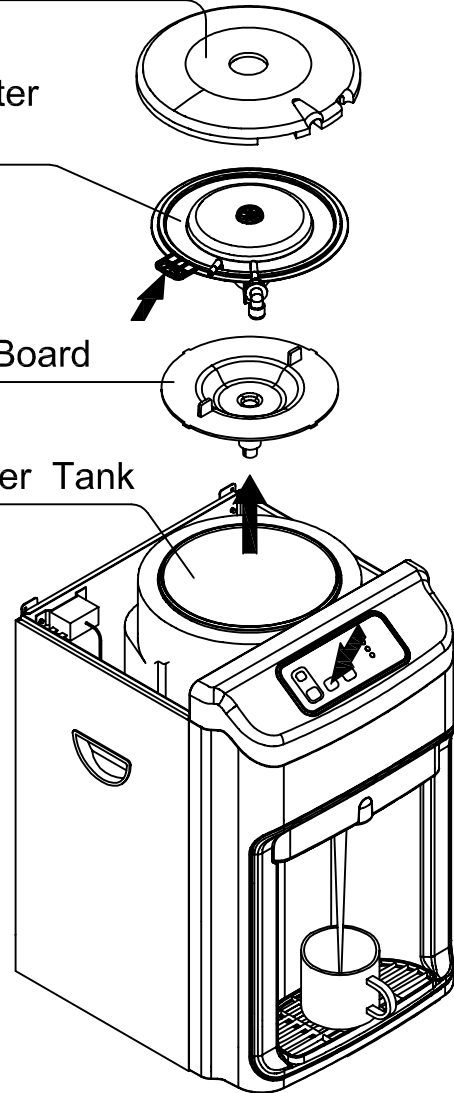
3. Pull out water stop bolt, which can completely drain out water in cold-water and hot-water tanks.

Styrofoam Cover for Cold Water Tank

Cold Water Tank Lid

Insulator Board

Cold Water Tank



2. Remove the top cover by unscrewing the screws of left and right side plates. Open the interior lid of cold water tank (shown by the arrows) and take off the insulator board. Press cold and hot water buttons to let water drain out completely.

Caution: For your safety, please contact your distributor or qualified technician for repair when the water dispenser is damaged.